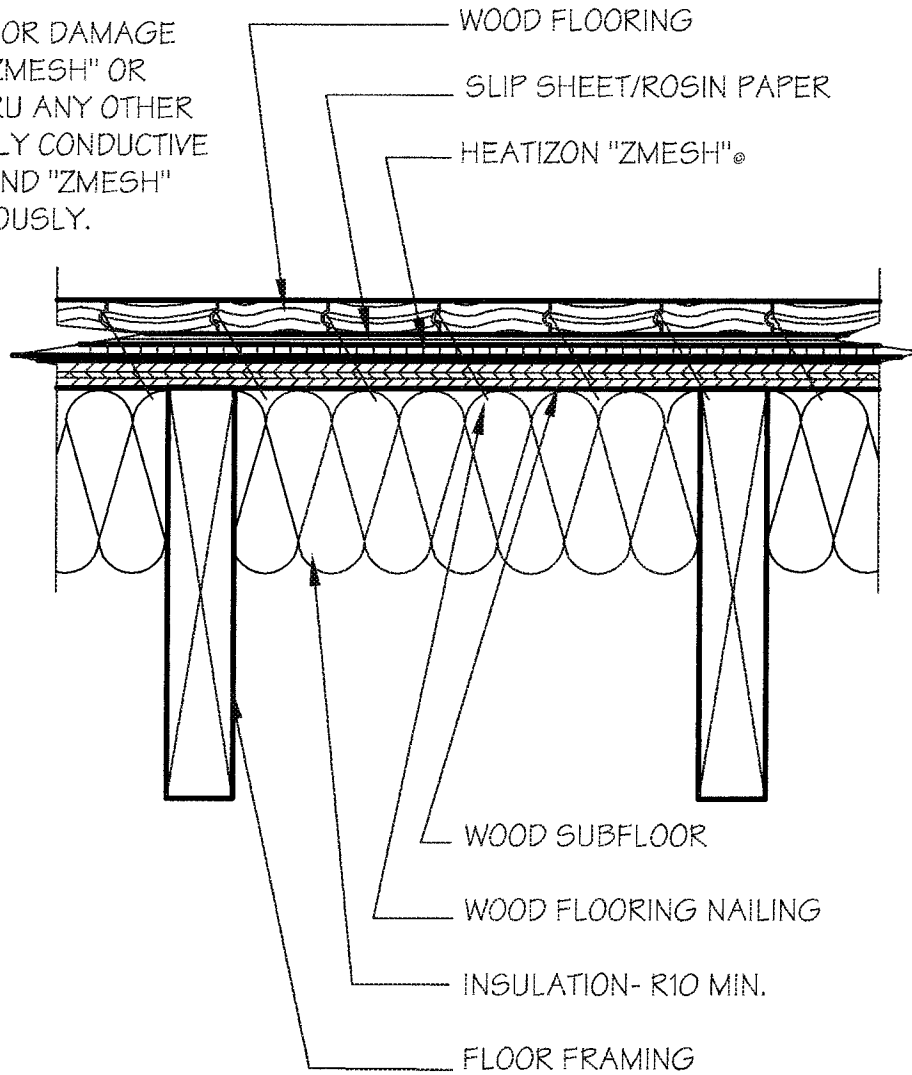


WARNING!!

DO NOT CUT OR DAMAGE
HEATIZON "ZMESH" OR
FASTEN THRU ANY OTHER
ELECTRICALLY CONDUCTIVE
MATERIAL AND "ZMESH"
SIMULTANEOUSLY.



DRAWING NO.:

FH-1

**ZMESH HARDWOOD FLOORING
ON WOOD SUBFLOOR**

DRAWING NO.:

JNL

DATE:

JAN. 2003

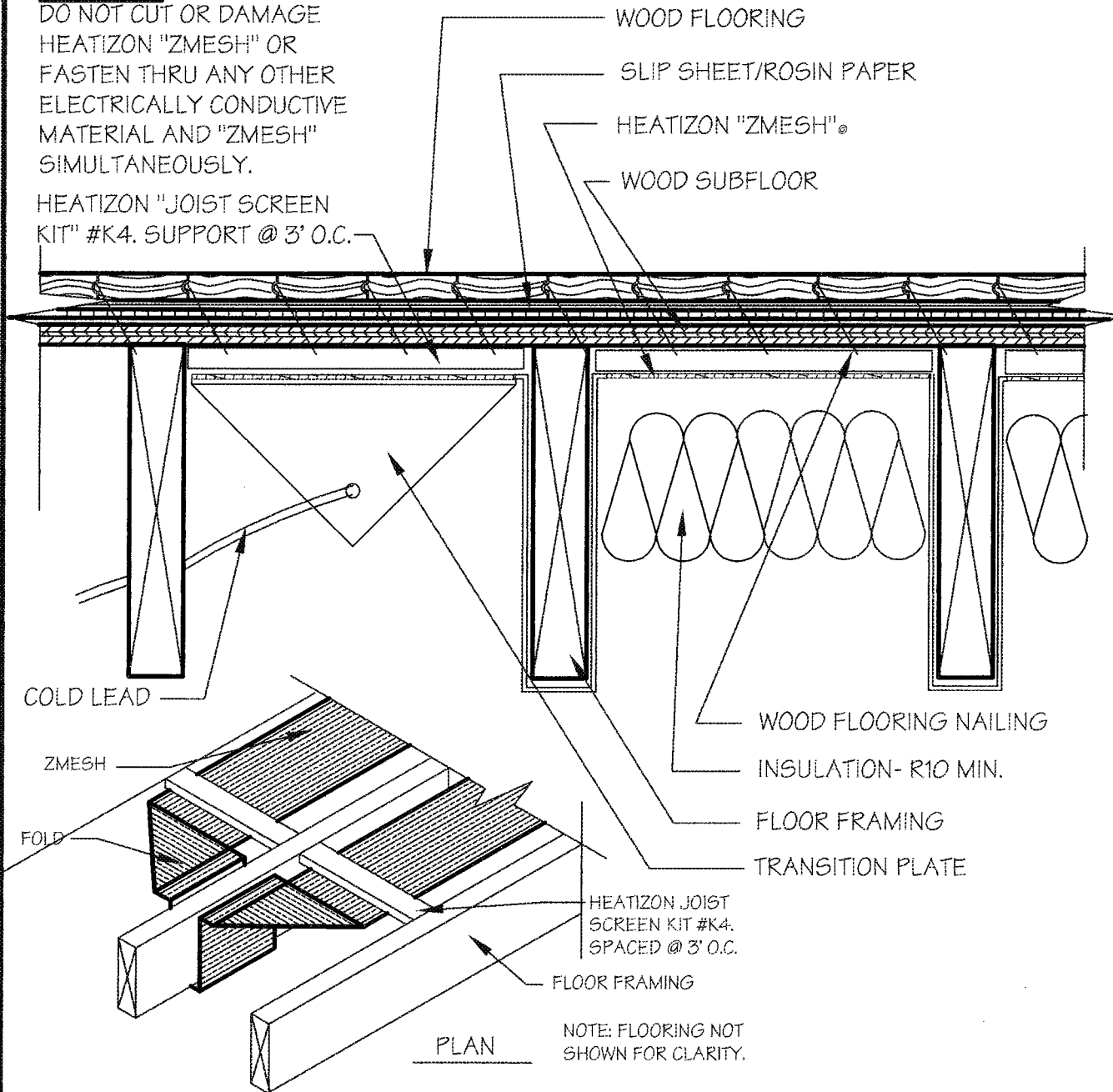
HEATIZON SYSTEMS

advanced floor heating/ snowand ice removal systems

4403 SOUTH 500 WEST, MURRAY, UTAH 84123 PH (801) 293-1232 FAX (801) 293-3077

WARNING!!
 DO NOT CUT OR DAMAGE
 HEATIZON "ZMESH" OR
 FASTEN THRU ANY OTHER
 ELECTRICALLY CONDUCTIVE
 MATERIAL AND "ZMESH"
 SIMULTANEOUSLY.

HEATIZON "JOIST SCREEN
 KIT" #K4. SUPPORT @ 3' O.C.



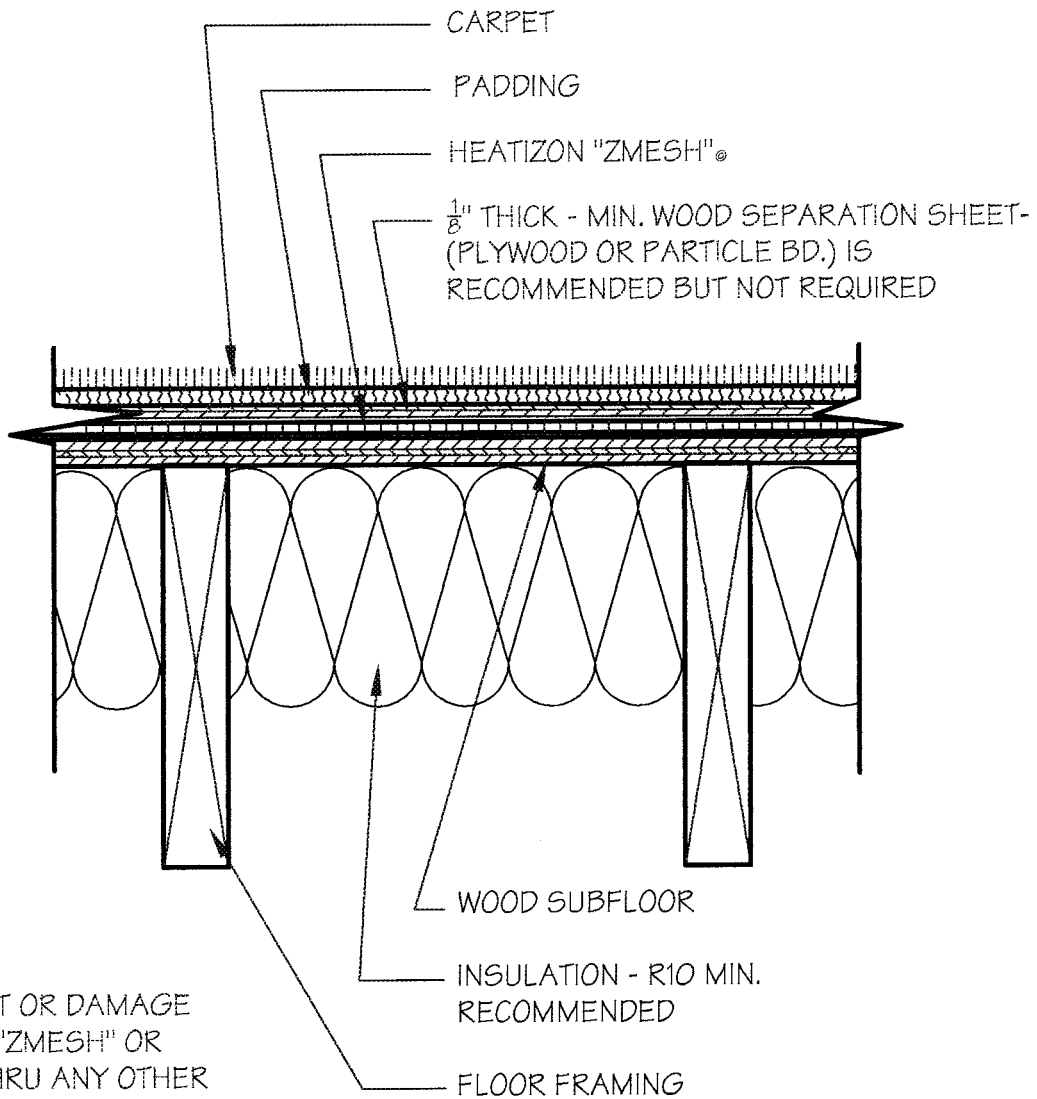
PLAN

NOTE: FLOORING NOT
 SHOWN FOR CLARITY.

DRAWING NO.: FH-1M	ZMESH RETRO-FIT UNDER WOOD SUBFLOOR	DRAWING NO.: JNL DATE: FEB. 2003
------------------------------	--	---

HEATIZON SYSTEMS
advanced floor heating/ snow and ice removal systems

4403 SOUTH 500 WEST, MURRAY, UTAH 84123 PH (801) 293-1232 FAX (801) 293-3077



WARNING!!
DO NOT CUT OR DAMAGE
HEATIZON "ZMESH" OR
FASTEN THRU ANY OTHER
ELECTRICALLY CONDUCTIVE
MATERIAL AND "ZMESH"
SIMULTANEOUSLY.

DRAWING NO.:

FH-2

**ZMESH UNDER CARPET ON
WOOD SUBFLOOR**

DRAWING NO.:

JNL

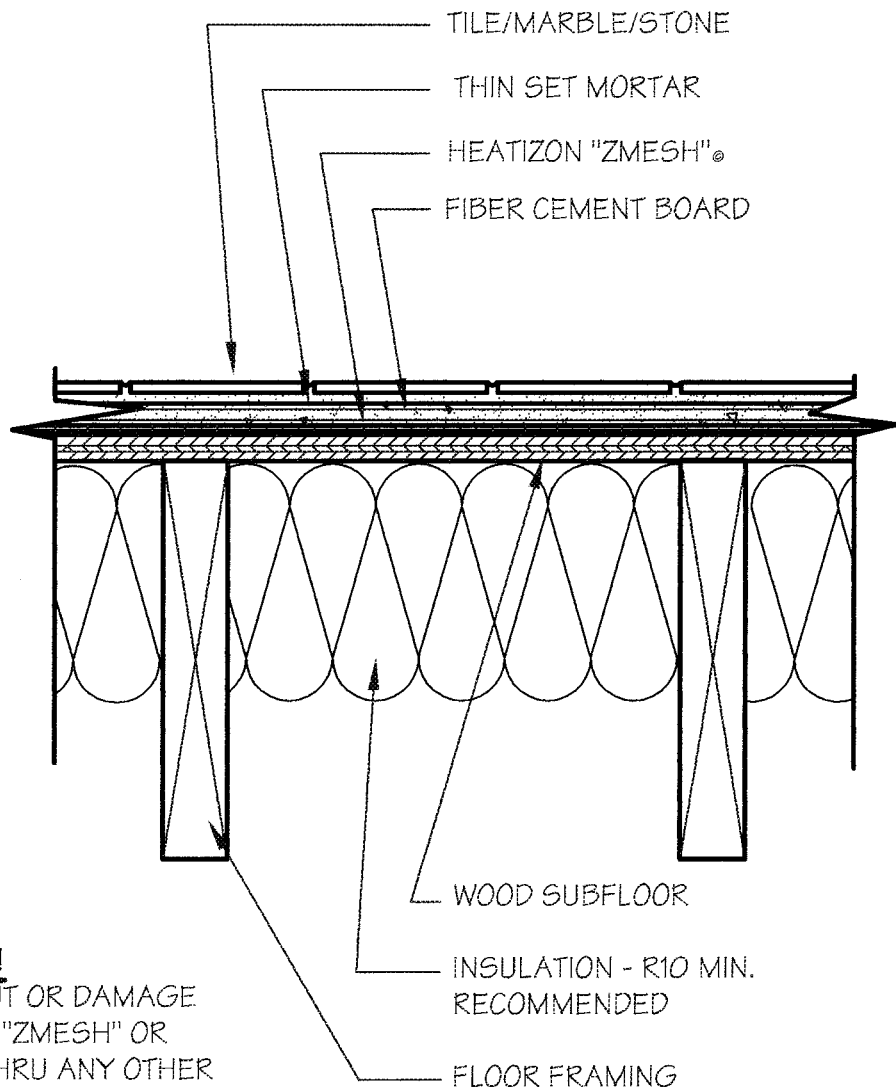
DATE:

JAN. 2003

HEATIZON SYSTEMS

advanced floor heating/ snow and ice removal systems

4403 SOUTH 500 WEST, MURRAY, UTAH 84123 PH (801) 293-1232 FAX (801) 293-3077

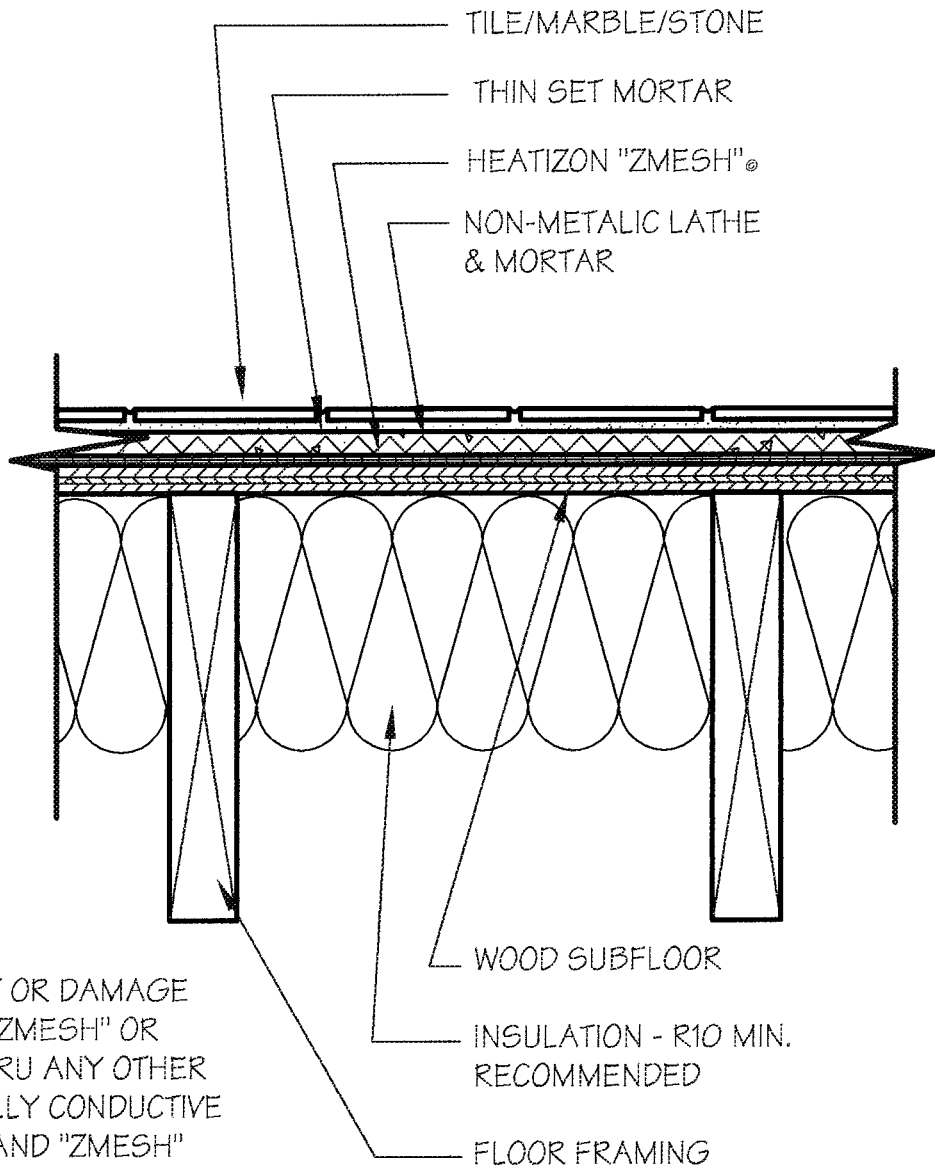


WARNING!!
DO NOT CUT OR DAMAGE
HEATIZON "ZMESH" OR
FASTEN THRU ANY OTHER
ELECTRICALLY CONDUCTIVE
MATERIAL AND "ZMESH"
SIMULTANEOUSLY.

DRAWING NO.: FH-3	ZMESH UNDER TILE/STONE & FIBER CEMENT BOARD ON WOOD SUBFLOOR	DRAWING NO.: JNL
		DATE: JAN. 2003

HEATIZON SYSTEMS
advanced floor heating/ snow and ice removal systems

4403 SOUTH 500 WEST, MURRAY, UTAH 84123 PH (801) 293-1232 FAX (801) 293-3077



WARNING!!
 DO NOT CUT OR DAMAGE
 HEATIZON "ZMESH" OR
 FASTEN THRU ANY OTHER
 ELECTRICALLY CONDUCTIVE
 MATERIAL AND "ZMESH"
 SIMULTANEOUSLY.
 METAL LATHE SHALL NOT BE
 USED IN SAME INSTALLATION
 AS HEATIZON "ZMESH".

DRAWING NO.:

FH-4

**ZMESH UNDER TILE/STONE w/PLASTIC
 LATHE ON WOOD SUBFLOOR**

DRAWING NO.:

JNL

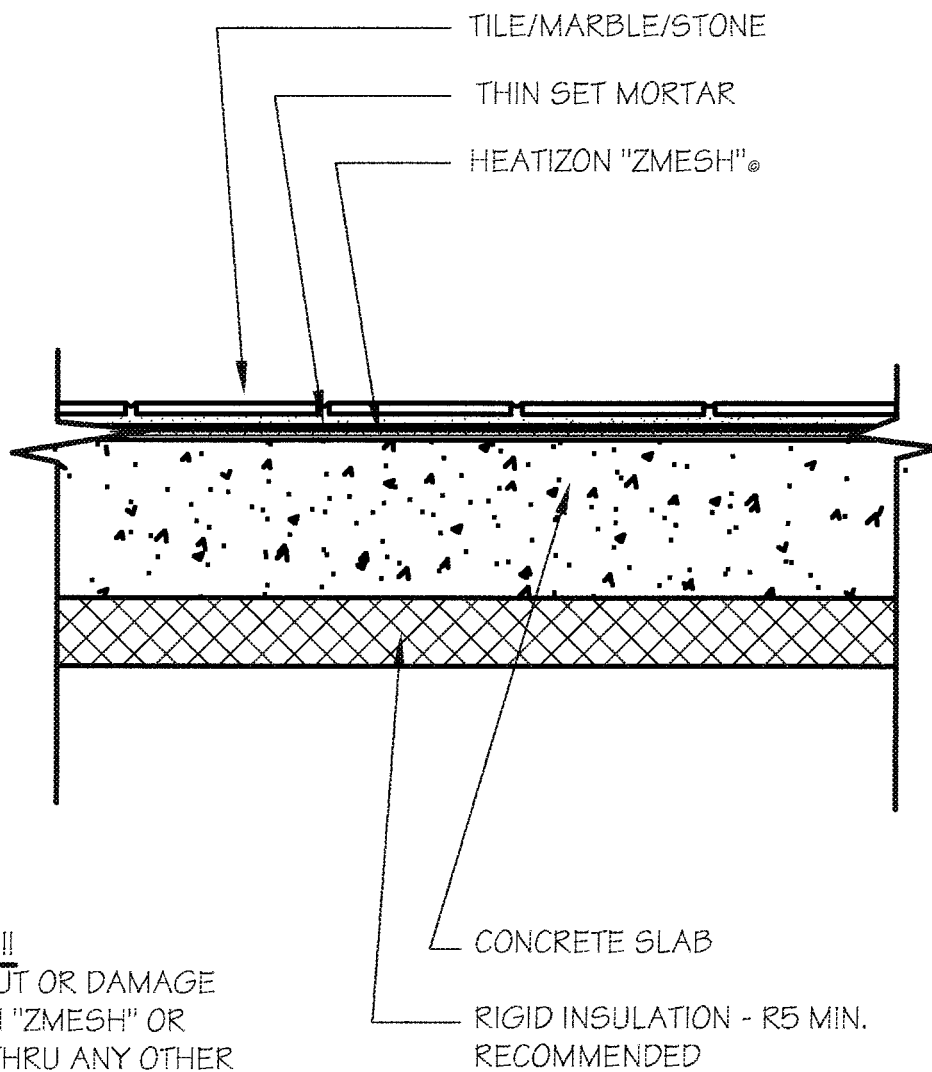
DATE:

JAN. 2003

HEATIZON SYSTEMS

advanced floor heating/ snow and ice removal systems

4403 SOUTH 500 WEST, MURRAY, UTAH 84123 PH (801) 293-1232 FAX (801) 293-3077



WARNING!!
 DO NOT CUT OR DAMAGE
 HEATIZON "ZMESH" OR
 FASTEN THRU ANY OTHER
 ELECTRICALLY CONDUCTIVE
 MATERIAL AND "ZMESH"
 SIMULTANEOUSLY.

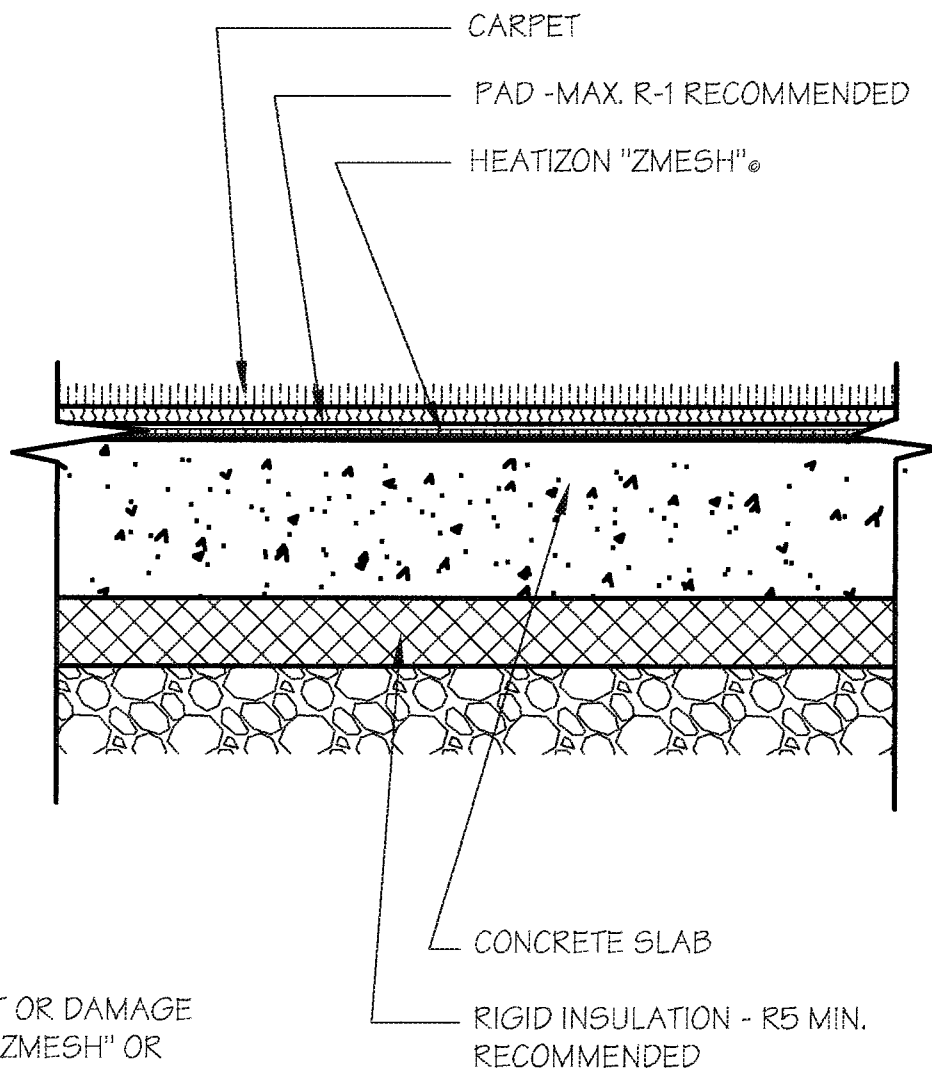
DRAWING NO.:
FH-5

**ZMESH UNDER TILE/STONE
 ON CONCRETE SLAB**

DRAWING NO.:
 JNL
 DATE:
 JAN. 2003

HEATIZON SYSTEMS
advanced floor heating/ snow and ice removal systems

4403 SOUTH 500 WEST, MURRAY, UTAH 84123 PH (801) 293-1232 FAX (801) 293-3077



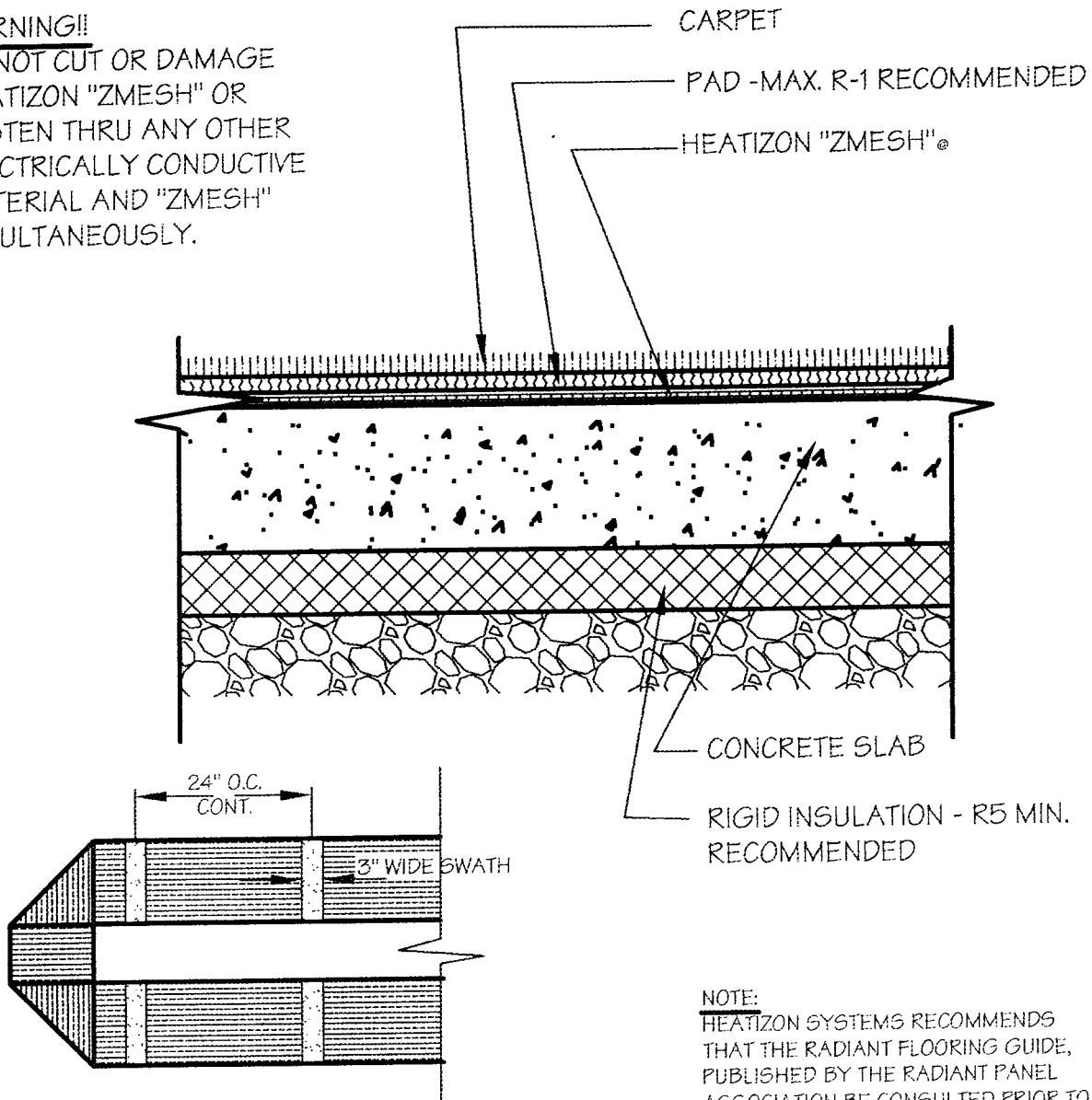
WARNING!!
 DO NOT CUT OR DAMAGE
 HEATIZON "ZMESH" OR
 FASTEN THRU ANY OTHER
 ELECTRICALLY CONDUCTIVE
 MATERIAL AND "ZMESH"
 SIMULTANEOUSLY.

DRAWING NO.: FH-8	ZMESH ON CONCRETE UNDER CARPET & PAD	DRAWING NO.: JNL DATE: JAN. 2003
-----------------------------	---	---

HEATIZON SYSTEMS
advanced floor heating/ snow and ice removal systems

4403 SOUTH 500 WEST, MURRAY, UTAH 84123 PH (801) 293-1232 FAX (801) 293-3077

WARNING!!
 DO NOT CUT OR DAMAGE
 HEATIZON "ZMESH" OR
 FASTEN THRU ANY OTHER
 ELECTRICALLY CONDUCTIVE
 MATERIAL AND "ZMESH"
 SIMULTANEOUSLY.



NOTE:
 IF INSTALLATION OF "ZMESH" IS ON CONCRETE, USE A FLOORING
 ADHESIVE TO HOLD THE "ZMESH" IN PLACE. PLACE 3" WIDE
 SWATHS OF ADHESIVE ACROSS THE "ZMESH" AT 24" O.C..
 DUCT TAPE IS HELPFUL IN HOLDING THE "ZMESH" IN PLACE UNTIL
 ADHESIVE DRIES. FOLLOW DIRECTIONS OF FLOORING ADHESIVE
 MANUFACTURER FOR APPLICATION OF FLOOR ADHESIVE.

NOTE:
 HEATIZON SYSTEMS RECOMMENDS
 THAT THE RADIANT FLOORING GUIDE,
 PUBLISHED BY THE RADIANT PANEL
 ASSOCIATION BE CONSULTED PRIOR TO
 SELECTING FLOOR COVERINGS. IN
 ADDITION, ALWAYS CONSULT YOUR
 FLOOR COVERING SUPPLIER ABOUT THE
 SUITABILITY OF YOUR FLOOR
 COVERINGS FOR INSTALLATION OVER
 IN-FLOOR RADIANT HEATING PRODUCTS.

DRAWING NO.: FH-8B	ZMESH ON CONCRETE UNDER CARPET & PAD	DRAWING NO.: JNL DATE: JAN. 2003
------------------------------	---	---

HEATIZON SYSTEMS
advanced floor heating/ snow and ice removal systems

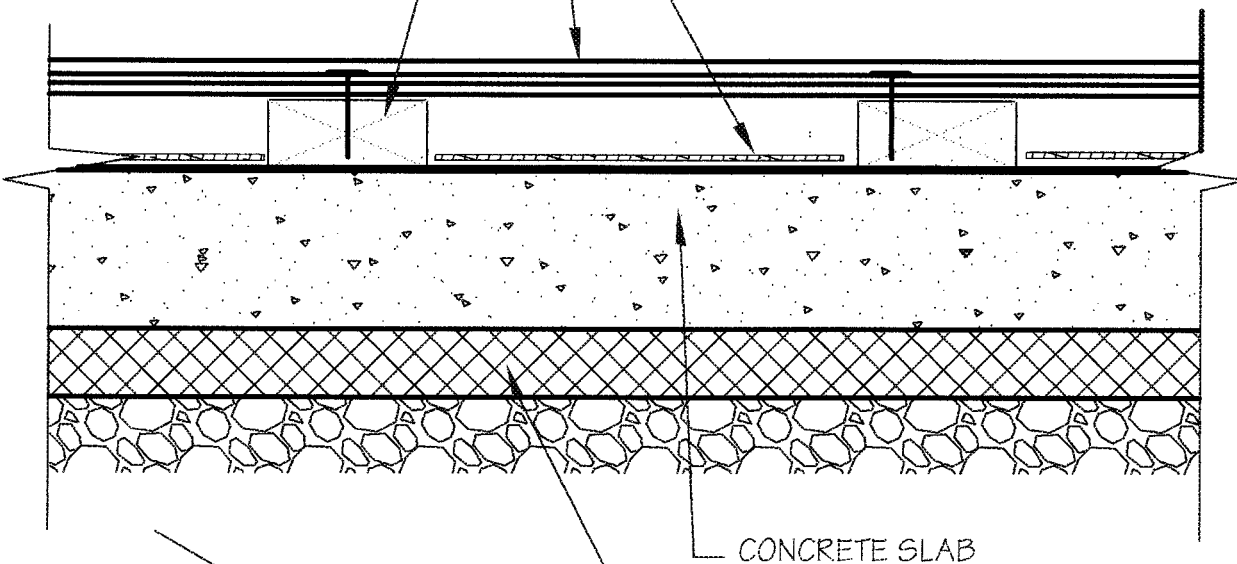
4403 SOUTH 500 WEST, MURRAY, UTAH 84123 PH (801) 293-1232 FAX (801) 293-3077

WARNING!!
 DO NOT CUT OR DAMAGE
 HEATIZON "ZMESH" OR
 FASTEN THRU ANY OTHER
 ELECTRICALLY CONDUCTIVE
 MATERIAL AND "ZMESH"
 SIMULTANEOUSLY.

2X SLEEPERS AS REQ.'D FOR
 HARDWOOD FLOORING

HARDWOOD FLOORING

HEATIZON "ZMESH"®

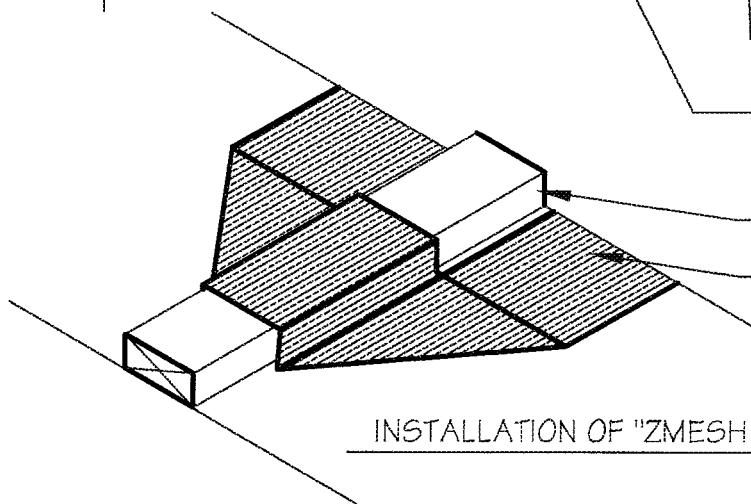


CONCRETE SLAB

RIGID INSULATION - R5 MIN.
 RECOMMENDED

SLEEPER

"ZMESH"



INSTALLATION OF "ZMESH OVER SLEEPERS

DRAWING NO.:

FH-12

**ZMESH ON CONCRETE
 UNDER HARDWOOD**

DRAWING NO.:

JNL

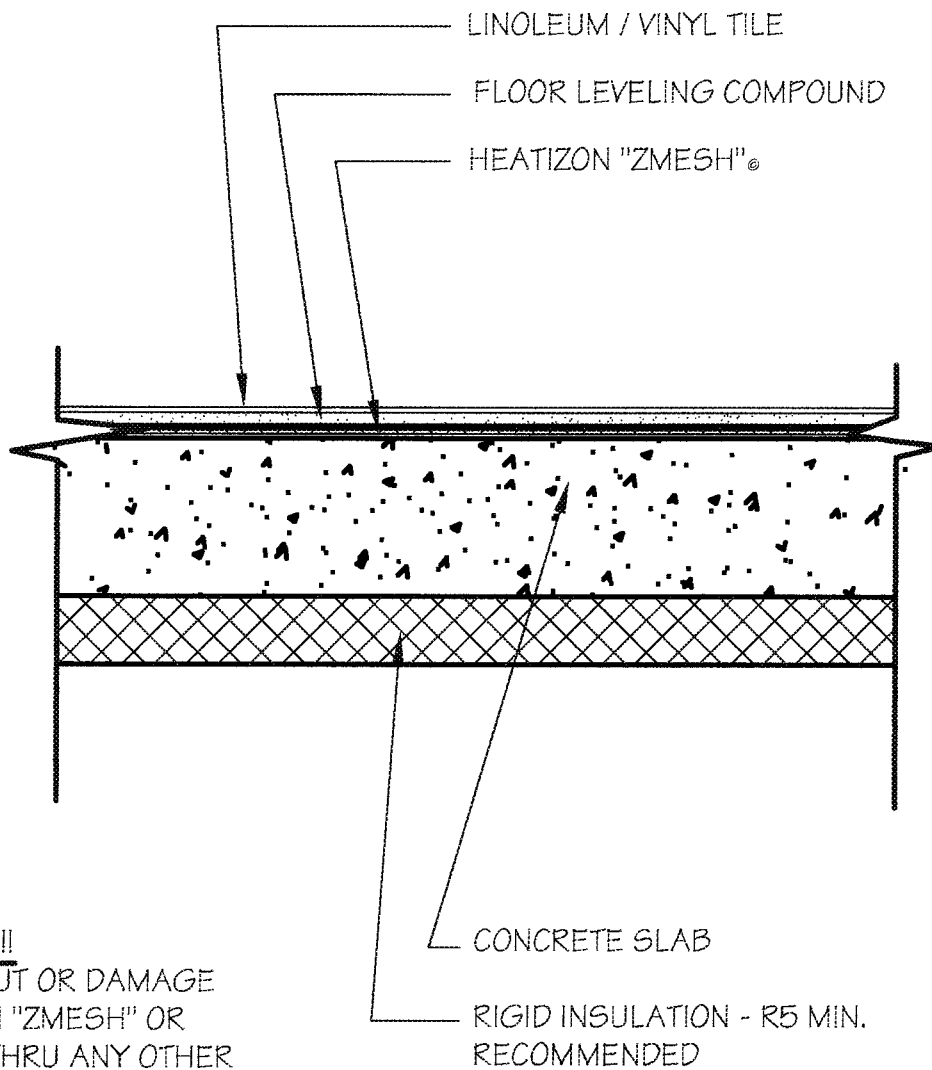
DATE:

JAN. 2003

HEATIZON SYSTEMS

advanced floor heating/ snow and ice removal systems

4403 SOUTH 500 WEST, MURRAY, UTAH 84123 PH (801) 293-1232 FAX (801) 293-3077

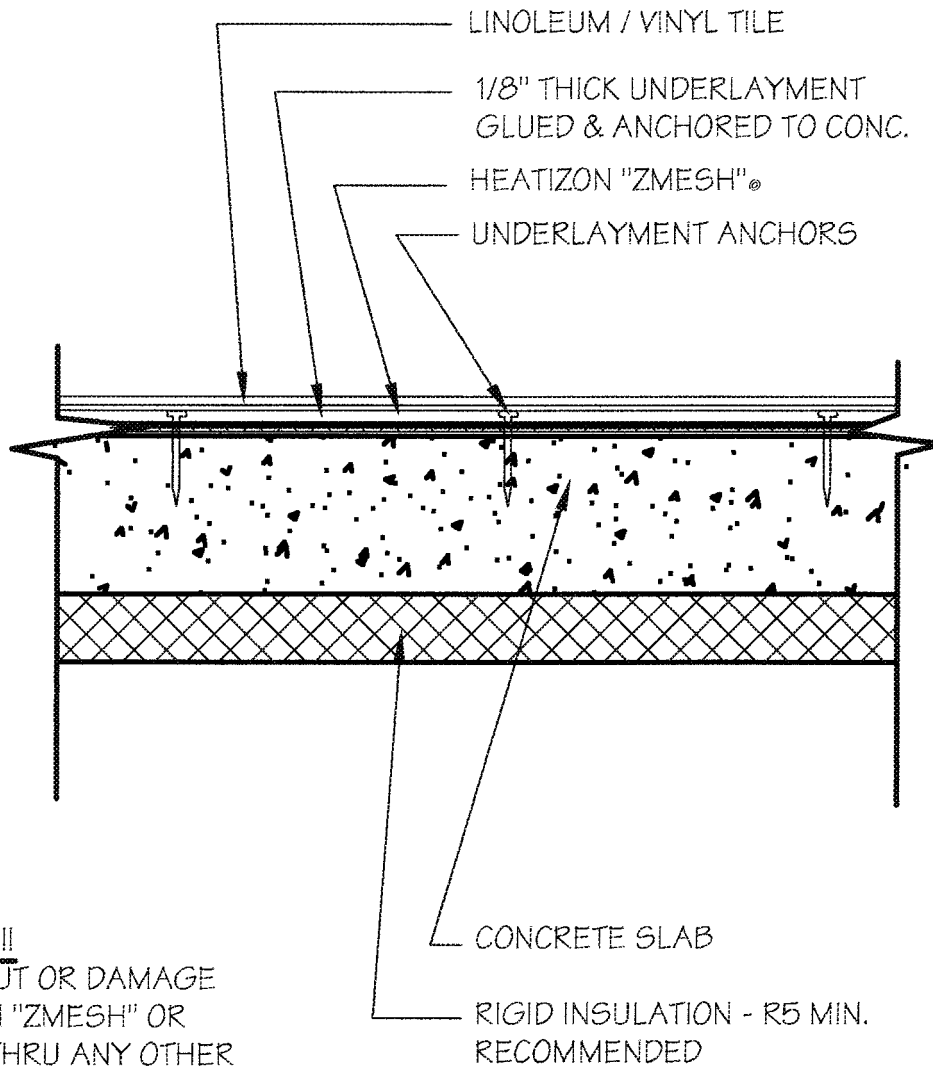


WARNING!!
 DO NOT CUT OR DAMAGE
 HEATIZON "ZMESH" OR
 FASTEN THRU ANY OTHER
 ELECTRICALLY CONDUCTIVE
 MATERIAL AND "ZMESH"
 SIMULTANEOUSLY.

DRAWING NO.: FH-14	ZMESH UNDER LINOLEUM/VINYL ON CONCRETE SLAB	DRAWING NO.: JNL
		DATE: FEB. 2003

HEATIZON SYSTEMS
advanced floor heating/ snow and ice removal systems

4403 SOUTH 500 WEST, MURRAY, UTAH 84123 PH (801) 293-1232 FAX (801) 293-3077

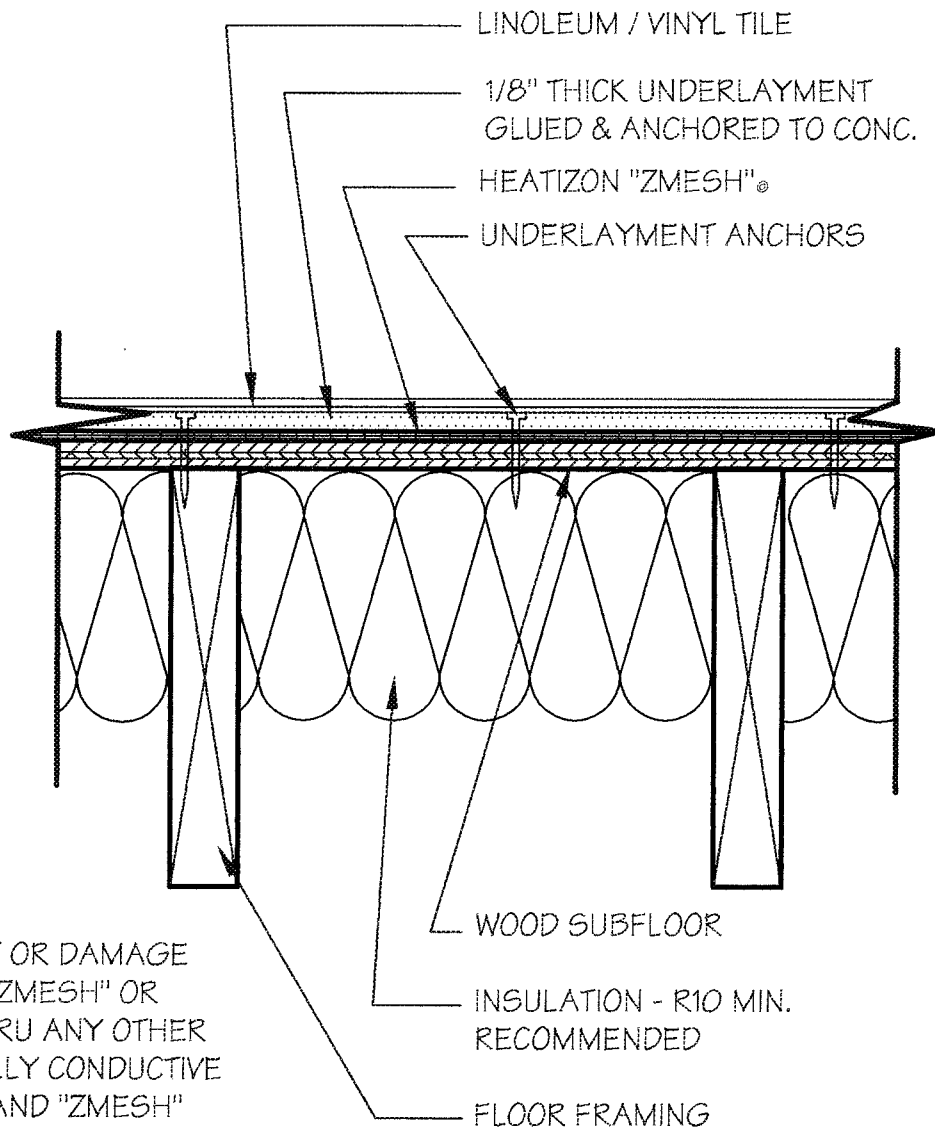


WARNING!!
 DO NOT CUT OR DAMAGE
 HEATIZON "ZMESH" OR
 FASTEN THRU ANY OTHER
 ELECTRICALLY CONDUCTIVE
 MATERIAL AND "ZMESH"
 SIMULTANEOUSLY.

DRAWING NO.: FH-15	ZMESH w/UNDERLAYMENT UNDER LINOLEUM/VINYL ON CONCRETE SLAB	DRAWING NO.: JNL DATE: FEB. 2003
------------------------------	--	---

HEATIZON SYSTEMS
advanced floor heating/ snow and ice removal systems

4403 SOUTH 500 WEST, MURRAY, UTAH 84123 PH (801) 293-1232 FAX (801) 293-3077



WARNING!!
 DO NOT CUT OR DAMAGE HEATIZON "ZMESH" OR FASTEN THRU ANY OTHER ELECTRICALLY CONDUCTIVE MATERIAL AND "ZMESH" SIMULTANEOUSLY. METAL LATHE SHALL NOT BE USED IN SAME INSTALLATION AS HEATIZON "ZMESH".

DRAWING NO.:

FH-16

ZMESH BELOW UNDERLAYMENT & LINOLEUM/VINYL ON WOOD SUBFLR.

DRAWING NO.:

JNL

DATE:

FEB. 2003

HEATIZON SYSTEMS

advanced floor heating/ snowand ice removal systems

4403 SOUTH 500 WEST, MURRAY, UTAH 84123 PH (801) 293-1232 FAX (801) 293-3077